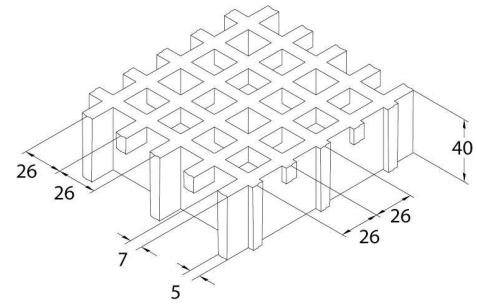




MOLDED GRATINGS

Grating type SCH 52/40_IFR

Mesh	mm 52 x 52	main
	mm 26 x 26	secondary
Clear span	mm 19 x 19	
Height	mm 40	
Bearing bar thickness	mm 7	upper part
	mm 5	bottom part
Color	Grey RAL 7004	



Raw materials	Polyester Resin
	Roving glass fiber type "E"
	Inorganic fillers without halogens

Standard panels	
mm 1000 x 2000	
mm 1000 x 3000	
mm 1000 x 4050	
mm 1500 x 2000	
Weight kg/m²	21
tolerance	± mm 5 panel dimensions
	± mm 2 height

Surface	S	Smooth	<i>Antiskid level R10 V10 norm DIN E51130</i>
	M	Meniscus	<i>Antiskid level R13 V10 norm DIN E51130</i>
	A	Quartz	<i>Antiskid level R13 V10 norm DIN E51130</i>

Reaction to fire	Fire retardant	Spread ≤ 25 norm ASTM E84-98
		Level V-0 norm UL94 Vertical Burning Test

Ageing resistance	Ageing test made with UV lamp according to ASTM G154-06 and passed with 5 points on the gray range and without evident defects (test made with 1500 hours of exposure to 4 hours alternate cycles at a UV temperature of 60°C and 4 hours at a condensed temperature of 50°C irradiated by UVB 313 nm lamp, radiance 0,71 W/m ²)
	After the exposure to heat, cold and humidity cycles according to UNI EN ISO 9142/04 norm (n° 21 cycles type D3) there is no evidence of defects



M.M. S.r.l.

Via A. Zanussi 300 / 302, 33100 Udine (Italy)

Ph. +39 0432.602218 / 522970 - Fax. +39 0432.522253

info@mmgrigliati.it - www.mmgrigliati.it

SCH 52/40_IFR

20.05.2009

Rev. 2

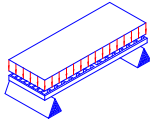
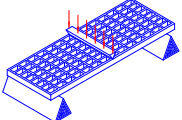
COMPANY
WITH QUALITY MANAGEMENT
SYSTEM CERTIFIED BY DNV
ISO 9001:2000

LOADS

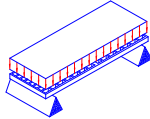
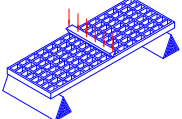
MAXIMUM SUGGESTED LOADS

Type of support	On the line of the two ends of the panel
-----------------	--

Limits determined by	Deflection (load sagging)
the maximum deflection admitted is 1/100 of the distance between the supports	

DISTRIBUTED LOAD		CONCENTRATED LOAD	
Distance between supports	Load with deflection equal to 1/100	Distance between supports	Load with deflection equal to 1/100
[cm]	[kg/m ²]	[cm]	[kg/m]
50	4850	50	1500
70	1750	70	750
90	800	90	450
110	450	110	300
All lighter loads are admitted			

Limits determined by	Admitted stresses (stress determined by the load)
the maximum admitted stress is 1/5 of the breakdown stress (safety coefficient is equal to 5 – the breakdown stress is 5 times the specified load)	

DISTRIBUTED LOAD		CONCENTRATED LOAD	
Distance between supports	Maximum admitted load	Distance between supports	Maximum load admitted
[cm]	[kg/m ²]	[cm]	[kg/m]
50	7500	50	1850
70	3800	70	1300
90	2300	90	1000
110	1550	110	850
All lighter loads are admitted			

The information specified in the above table is to be considered as an average value and variations may reach a $\pm 15\%$.

The above characteristics are meant as reference values for standard material. Even if they are not to be considered as guaranteed characteristics they are based on our experience and are supplied in good faith.



M.M. S.r.l.

Via A. Zanussi 300 / 302, 33100 Udine (Italy)

Ph. +39 0432.602218 / 522970 - Fax. +39 0432.522253

info@mmgrigliati.it - www.mmgrigliati.it

SCH 52/40_IFR

20.05.2009

Rev. 2

COMPANY
WITH QUALITY MANAGEMENT
SYSTEM CERTIFIED BY DNV
=ISO 9001:2000=